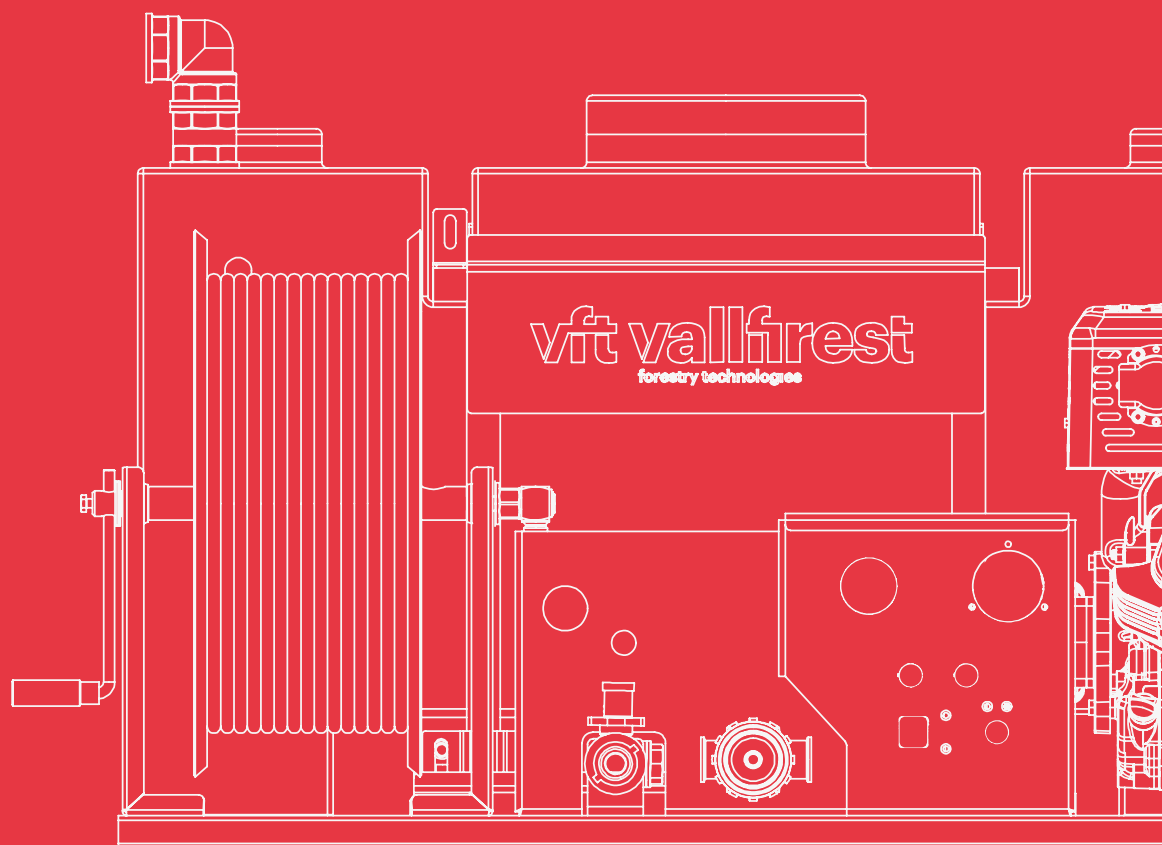


Skid unit with a membrane pump

Vertical polyethylene tank
Medium pressure



Polyethylene skid unit with a membrane pump

Medium pressure | Up to 50 bar

Rapid intervention skid units designed for pickup vehicles and trailers, equipped with membrane pumps up to 50 bar with a maximum flow of up to 80 L/min.

- High-quality components and great replacement part availability
- Resistant tanks made of polyethylene
- The best quality/price ratio
- 2 year warranty



What is included?

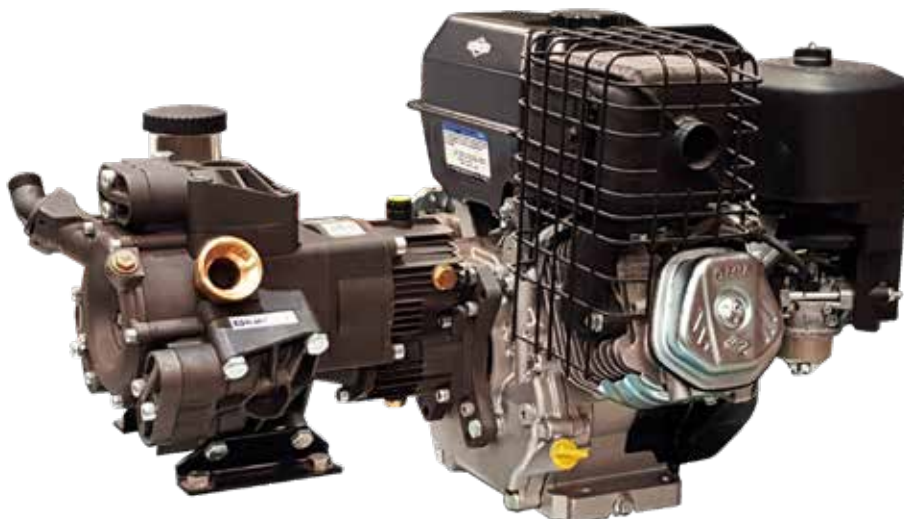
Motor	Gasoline (6.5 - 13.5 HP) Diesel (11 HP)
Membrane pump	36 L/min. 40 bar at 80 L/min. 50 bar
Quick attack winder	Equipped with a high-pressure hose
Water tank	400 L
Attack nozzle	Water
Suction oversleeve	5 m long

Uses

Wildland fires	Recommended use
Container and vehicle fires	Recommended use
Cleaning and unclogging	Less recommended

1 Motor pump unit

Available options. 4-stroke gasoline or diesel combustion motors and membrane pumps.



Motors	Power *	Pump	Max. pressure **	Max. flow **
B&S XR950	6.5 HP	AR30	40 bar	36 l/min
Honda GX160	4.8 HP	AR30	40 bar	36 l/min
B&S XR1450	10 HP	AR503	40 bar	54 l/min
B&S XR2100	13.5 HP	AR813	50 bar	80 l/min
Lombardini 15LD440	11 HP	AR813	50 bar	80 l/min

Gasoline motor. Diesel motor.

* The nominal engine power indicated in this document is the net power tested on a production engine for the engine model pursuant to SAE J1349 (HONDA) / SAE J1940 (Briggs& Stratton) / ISO 1585 (Lombardini) at a specific speed. This value may vary in mass produced motors. The actual output power of the engine installed on the end machine will vary depending on a number of factors such as the applicable engine operating speed, the environmental conditions, maintenance and other variables.

** These values are at direct pump outlet.

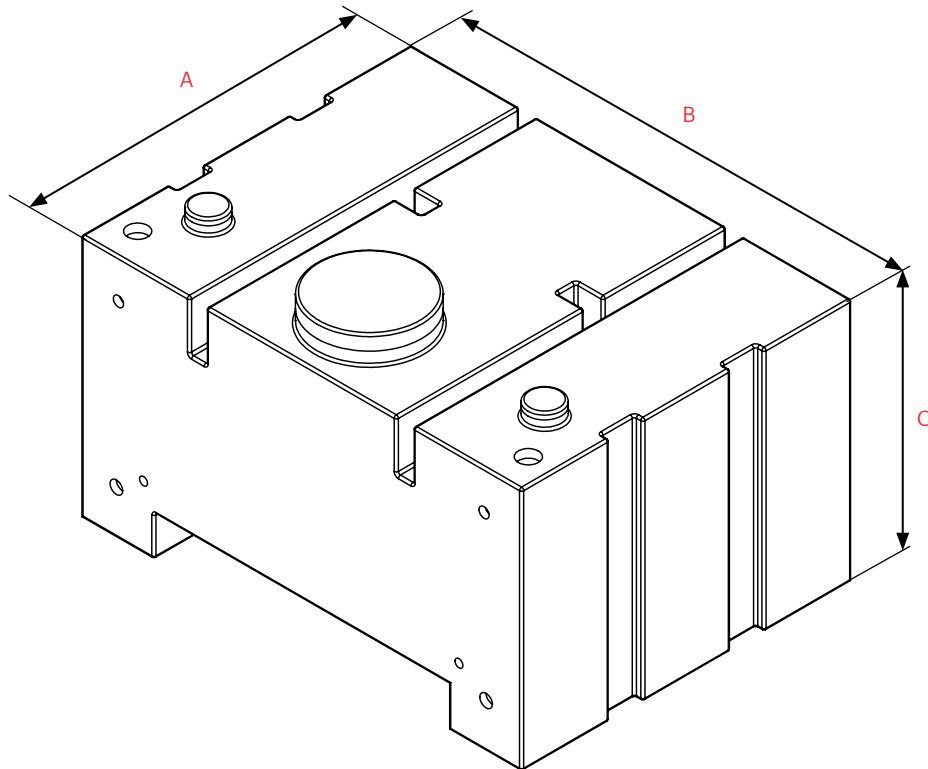
*** The power, pressure and flow values are valid in working conditions: temperature 25°C at sea level. **IMPORTANT:** Engine power will decrease 3.5% for every 300 meters above sea level and 1% for each 5.6°C above 25°C.



2 Water tank

Polyethylene tanks make the entire skid unit lighter. Vallfirest skid units with a polyethylene tank are designed to concentrate the skid unit load in the area closest to the vehicle cabin, avoiding wheel arches on pickup vehicles and optimizing the available space.

- Made of seamless polyethylene via rotational molding.
- 1 1-1/2" filling spout on the top with couplings (Barcelona, Storz, DSP or others) to fill the tank from a hydrant or exterior pressurized water source.
- 1 configurable 1-1/2" high vent on the top.
- 1 threaded inspection cover with a useful diameter of 200 mm to inspect the tank.
- A water level indicator over connecting ducts.
- A 1" drain to empty the tank.
- Pump return connection to fill the tank by suctioning water from a non-pressurized external water source.



A: Depth
 B: Width
 C: Height

Standard colors	Tank dimensions			
White Red				
	Tank	A [mm]	B [mm]	C [mm]
	400 RV	790	1050	585

3 Components included

3.1 Control panel

Control panel with LED light switch, pressure gauge time counter and skid unit emergency stop.*

TECHNICAL DATA

- Baked paint coating.
- * Skid units without batteries do not have light, nor time counter.



3.2 Winder

Made of anti-corrosive material with a manual starting crank and lock system.

TECHNICAL DATA

- Capacity for 50 m long DN12 hose*



3.3 Suction oversleeve

Clear flexible PVC spiral absorption oversleeve with rigid PVC spiral and smooth inner surface. Includes non-return foot valve and filter. Includes a Storz connector for connection to the Vallfirest skid unit.

TECHNICAL DATA

- Length: 5 m
- Oversleeve diameter: DN25 (1") or DN40 (1-1/2") depending on the pump
- Weight: 2.2 kg (DN25) or 4 kg (DN40)



3.4 Hose

DN12 (1/2") 50 meter semi-rigid hose. Comprised of an inner layer of synthetic rubber reinforced with a metal mesh and coated in abrasion-resistant synthetic rubber. Features a quick water and foam nozzle connection system.

TECHNICAL DATA



- SAE 100 R1AT DN12 (1/2"): 160 bar operating pressure, 0.45 kg/m weight



3.5 Water nozzle

High-pressure and high-range nozzle. Adjustable angle. Interchangeable ceramic nozzle tip and quick connection system.

TECHNICAL DATA

- Maximum pressure: 60 bar
- Maximum flow: 110 L/min.
- Concentrated stream > 
- Hollow cone/fog stream > 



3.6 Tank lifting structure

Tank frame enabling the tank to be lifted and transported by means of a pallet jack or forklift.

DATOS TÉCNICOS

- 100*50*2 mm steel tube, 1400 mm long section.
- Durable powdercoated finish.



4 Optional accessories

4.1 Foam nozzle

High-pressure and high-range nozzle. Adjustable angle. With quick connection system.*



TECHNICAL DATA

- Maximum pressure: 280 bar
- Maximum flow: 50 L/min
- Concentrated stream > —
- Hollow cone/fog stream > ◀

4.2 Foam-forming agent proportioner system

Compact and easy-to-use, foam mixing with a proportional manual selector valve. Creates a stable mix of foam-forming agent in the water. Venturi effect "in line eductor" system which mixes water and foam-forming agent in the drive circuit.

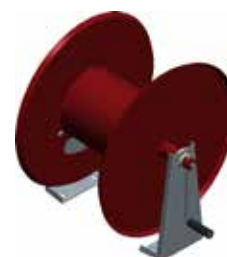


4.3 100 m Manual winder

Made of anti-corrosive material with a manual starting crank and lock system.

TECHNICAL DATA

- Capacity for 80 m flat 25 hose



4.4 Electric winder

Made of anti-corrosive material. With an electric rewinder with a 12V motor.

TECHNICAL DATA

- Capacity for 50 DN12 (1/2") hose
- Ask for longer hose lengths..



4.5 Tool carrier structure

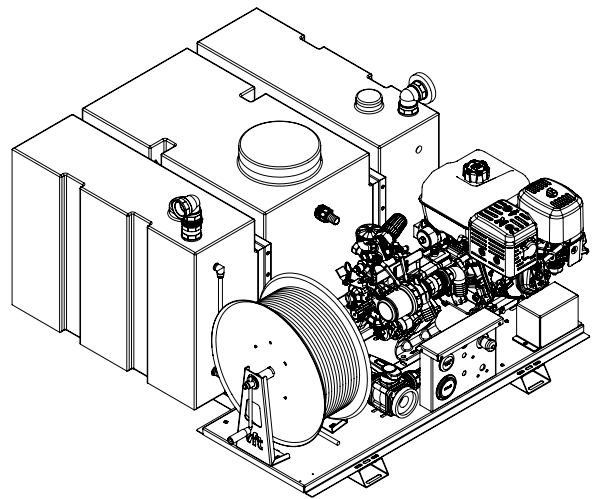
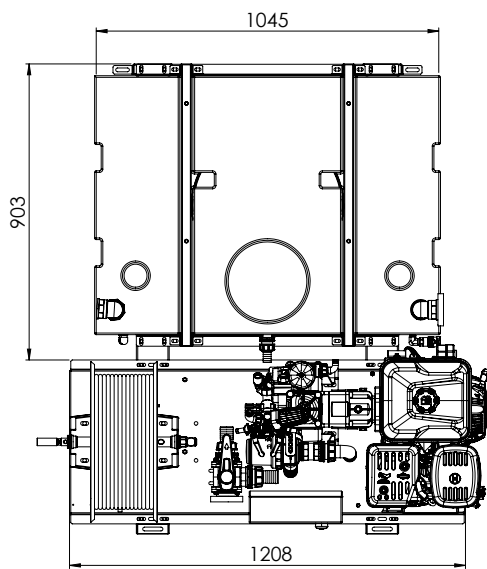
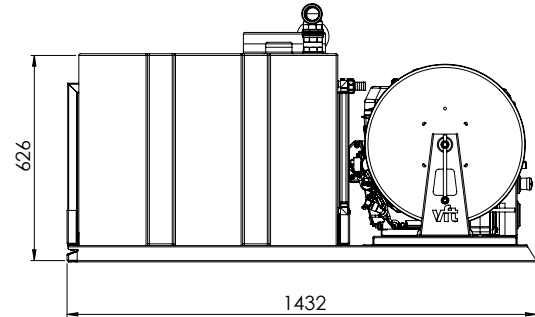
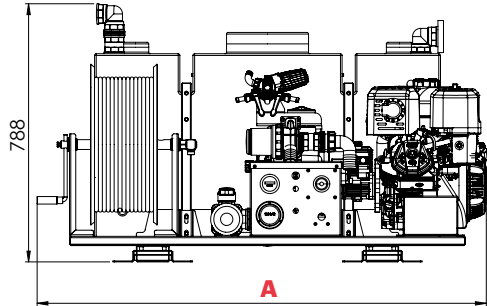
Different possibilities; fully customizable. The operability of pickup vehicles is increased with tool carrier structures accompanying the units: manual tools, drip torches, chainsaws, water packs, combat p

TECHNICAL DATA

- Features a tool carrier cabinet
- Features an equipment carrier tray with a railing
- Custom made for each vehicle
- Approximate total weight: 80 kg



5 General dimensions



6 Configurations available

Ref. VFT	Tank	Motor	Battery and electric start	Power *	Pump	Max. Pressure**	Max. Flow**	Approx dry Weight	A [mm]
DVD134V-G30A0	400 RV	B&S XR950	NO	6.5 HP	AR30	40 bar	36 l/min		1145
DVD134V-G31A0	400 RV	Honda GX160	NO	4.8 HP	AR30	40 bar	36 l/min		1145
DVD134V-G34A0	400 RV	B&S XR1450	YES	10 HP	AR503	40 bar	54 l/min		1360
DVD134V-G37A0	400 RV	B&S XR2100	YES	13.5 HP	AR813	50 bar	80 l/min		1370
DVD134V-D32A0	400 RV	Lombardini 15LD440	YES	11 HP	AR813	50 bar	80 l/min		1375

RV: vertical polyethylene tank.

Gasoline motor. Diesel motor.

* The nominal engine power indicated in this document is the net power tested on a production engine for the engine model pursuant to SAE J1349 (HONDA) / SAE J1940 (Briggs& Stratton) / ISO 1585 (Lombardini) at a specific speed. This value may vary in mass produced motors. The actual output power of the engine installed on the end machine will vary depending on a number of factors such as the applicable engine operating speed, the environmental conditions, maintenance and other variables.

** These values are at direct pump outlet.

*** The power, pressure and flow values are valid in working conditions: temperature 25°C at sea level. **IMPORTANT:** Engine power will decrease 3.5% for every 300 meters above sea level and 1% for each 5.6°C above 25°C.

Any questions? Contact us: clientes@vallfirest.com | T. +34 938 678 779